



XCMG FOR YOUR SUCCESS



GR2605 GRADER



Address: No.1, Tao Shan Road, Economic Development Zone, Xu Zhou, Jiangsu Province.
Postcode: 221004

Email: sales@xcmg.com
Website: www.xcmg.com

With continuous development of technologies, we reserve the right to make changes at any time without notice. If differences between the printed image and the original product exist, the original product should prevail.

Unified national service hotline: 4001109999



www.xcmg.com

Highlights: GR2605 Grader

Maneuverability highlights

- 1 Comfortable operating environment**
 - > Three-dimensional all-round air-conditioning system
 - > Air suspension seat for high level comfort
 - > Optimized cab control layout, more comfortable operation
 - > Humanized setting
- 2 Broad vision**
 - > The front and operation vision are wider
 - > Wide-angle rearview mirror inside the cab and dual rearview mirrors on both sides
- 3 Intelligent control system**
 - > Electronically controlled dual joysticks, more labour-saving operation
 - > Integrated CAN key panel, more convenient
 - > Intelligent fault diagnosis system
 - > Optional 2D/3D automatic levelling system
 - > Load-sensitive hydraulic system
 - > Temperature-controlled independent cooling system

Safety highlights

- 4 Safety of Machinery**
 - > Spacious and comfortable ROPS&FOPS cab
 - > Secondary steering system
 - > Reversing camera system
 - > Fuel filling on the ground, safer and more convenient
 - > More comprehensive lighting system
- 5 Control safety**
 - > Double emergency stop control
 - > double circuit breaker
 - > Hydraulic locking function

Reliability highlights

- 6 Heavy duty working device**
 - > Equipped with slewing ring and overload protection circle drive
 - > Integral Angle positioner
- 7 Heavy-duty transmission system**
 - > Heavy-duty front axle
 - > Wet brake drive axle
- 8 Controlling reliability**
 - > Electronic parking system
 - > Dual-circuit service brake system





Maneuverability highlights

Three-dimensional all-round air-conditioning system

> Integrated with the interior design of three-dimensional air duct and air conditioning, the user can work in a pleasant temperature environment.

Air suspension seat for higher comfort

> The comfortable air suspension seat can be adjusted up and down, front and rear, angle and other directions, and also has an electric heating function to meet the various needs of users.

Optimized cab control layout, more comfortable operation

> The layout of various control switches, joysticks, and pedals in the cab meets the needs of ergonomics and is more comfortable and convenient.

Humanized Settings

> A variety of user-friendly settings such as the dinner plate in the cab, water cup holder, sunshade, fan, footrest, charging port, and mobile phone holder, provide users with more considerate services.



The front vision and operation vision of the whole machine are wider

> The optimized cab structure improves the front vision and operation vision.

Wide-angle rearview mirror inside the cab and dual rearview mirrors on both sides

> Optimized interior rearview mirrors in the cab and dual rearview better convenience and driving safety

Electronically controlled dual joysticks, more labor-saving operation

> A variety of electronic control joysticks, such as oil cylinder control, gear, steering, and differential lock, are controlled in one, which greatly reduces the labor intensity of the operator

Integrated CAN key panel, more convenient

> The application of the CAN key panel in the cab has a high degree of integration, Intelligent fault diagnosis system

> The intelligent fault diagnosis system can quickly query equipment data and provide users with convenient fault detection and troubleshooting functions

Optional 2D/3D automatic leveling system

> The 2D/3D automatic leveling system can be installed as an option to make the leveling operation of the whole machine simpler and more accurate, reduce the requirements on the operator, and meet the leveling requirements of

Load-sensitive hydraulic system

> Load-sensitive hydraulic system provides better control, more sensitive response and

Temperature controlled independent cooling system

> The speed of the fan can be changed according to the monitored temperature change, more energy-saving and noise-reducing



Safety highlights

Spacious and comfortable ROPS&FOPS cab

- > The optimized cab skeleton mechanism meets ROPS&FOPS requirements and provides users with a safer guarantee.

Secondary steering system

- > When the main steering system fails, it can play a role in assisting emergency transformation and provide users with a safer guarantee.

Double emergency stop control

- > Two emergency stop control switches are arranged outside the machine and inside the cab to provide users with better safety guarantees.

Double circuit breaker

- > The application of double circuit breaker can provide more convenient service for maintenance work

Hydraulic locking function

- The hydraulic locking function can prevent the hydraulic system from misoperation when the equipment is running, and provide safe driving guarantee for users

Reversing camera system

- > The integrated reversing image system allows unobstructed views of the rear.

Realize the fuel filling on the ground, more safer and more convenient

- > Optimize the position of the fuel tank to fill the ground with fuel, avoid climbing, and make the operation safer
- More comprehensive lighting system
- > The whole machine is equipped with a variety of signal lights, lighting, work lights and maintenance lights to provide more intimate security for night operation.



GR2605 Grader



Reliability highlights

Equipped with slewing bearing and overload protection circle drive

- > Equipped with large modulus, high strength slewing bearing and optimized overload protection circle drive, the operation device of the whole machine is more reliable and durable

Integral angular device

- > The integral angle device can bear more uniform force and stronger load

Heavy-duty front axle

- > The optimized front axle structure, the use of cast front axle steering joint and tilt joint, variable cross-section mandrel design greatly improve the service life of the bearing.

Wet brake drive axle

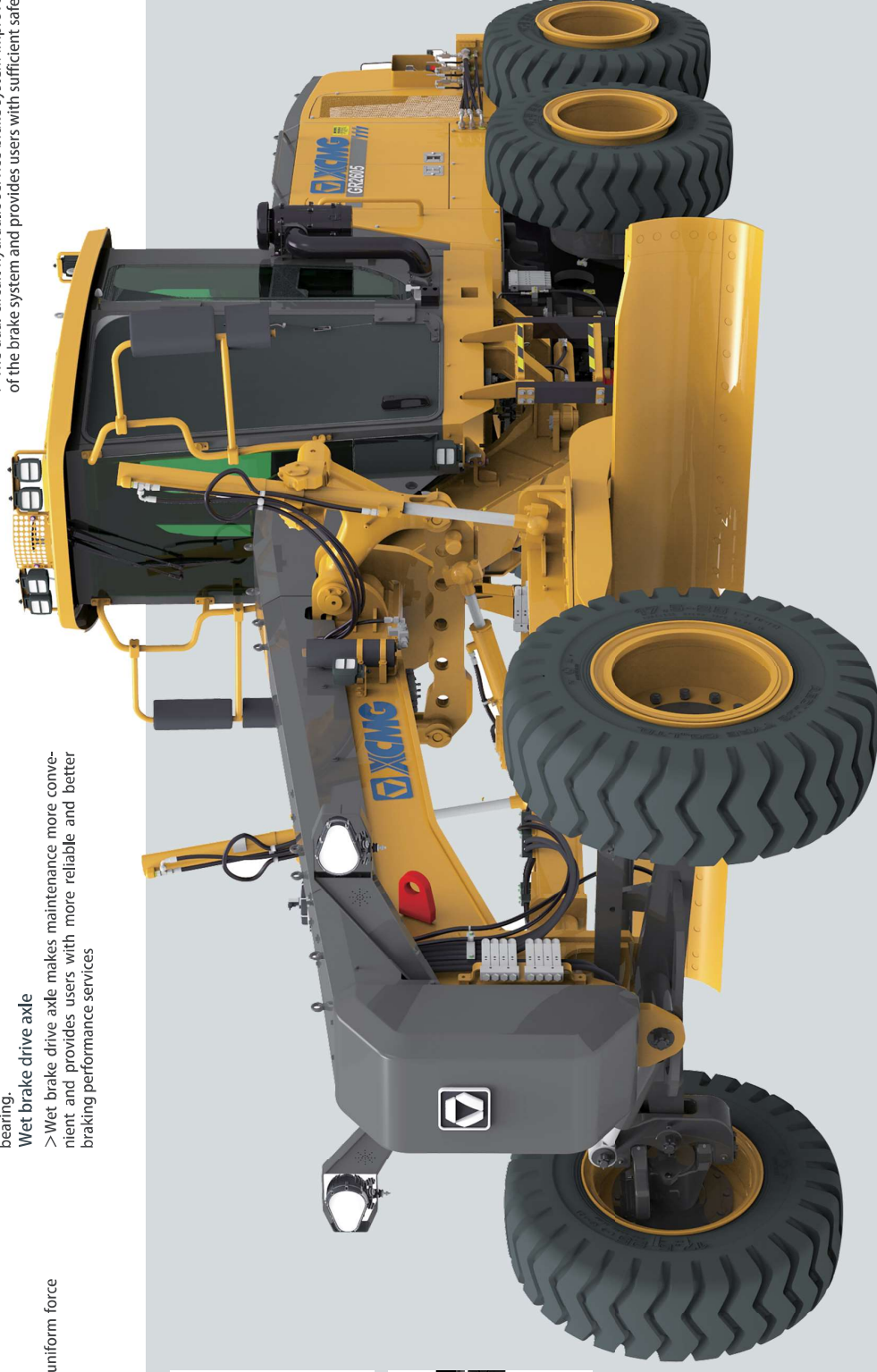
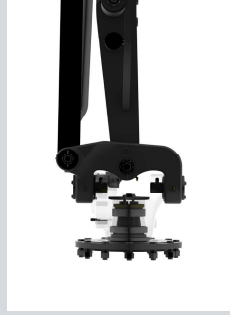
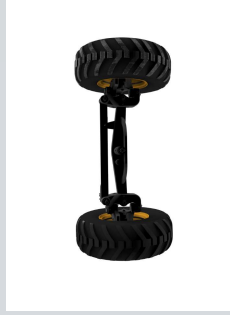
- > Wet brake drive axle makes maintenance more convenient and provides users with more reliable and better braking performance services

Electronic parking system

- > The electronic parking system has better integrated control with the whole machine, and the parking performance is more reliable.

Double circuit service brake system

- > The dual-circuit hydraulic service brake system improves the reliability of the brake system and provides users with sufficient safety guarantee





GR2605T3 motor grader technical parameter table

Item	GR2605	
Engine model	QSL8.9	
Rated power/Speed	194kW/2200rpm	
Overall dimension (standard)	9448×2625×3472mm	
Total weight(standard)	19000 kg	
Tyre specification	17.5R25	
Ground clearance (Front axle)	592mm	
Tread	2156mm	
Axle distance between front and rear	6545mm	
Tread between middle and rear wheel	1622mm	
Forward speed	4.9, 8, 11, 17.9, 24.7, 40.2km/h	
Rearward speed	4.9, 11, 24.7km/h	
Traction force f=0.75	≥99kN	
Maximum gradeability	≥25%	
Inflation pressure of tire	425kPa	
Working system pressure	24.5MPa	
Transmission pressure	1.85-2.2Mpa	
Maximum steering angle of front wheel	±49°	
Maximum tilt angle of front wheel	±18°	
Maximum swinging angle of front axle	±16°	
Maximum swinging angle of tandem	Front15°、rear15°	
Maximum steering angle of frame	±25°	
Minimum turning radius	7.6m	
Blade	Maximum lifting height	452mm
	Maximum shovelling depth	755mm
	Maximum tilt angle	90°
	Cutting angle	Front40°、rear5°
	Slewing angle	360°
Length × Chord height	3965×610mm	
Coolant	50L	
Fuel tank	418L	
Engine	24L	
Transmission	38L	
Tandem	Each 85L	
Drive axle	44L	
Hydraulic oil	193L	

