



All Rights Reserved

Materials and specifications are subject to change without notice.
Featured machines in photos may include additional equipment.
See your XCMG dealer for available options.



XE215D

Hydraulic Excavator



www.xcmg.com

XCMG Regional Departments:

Europe	(+86-516) 87739703 87739218 87739537	Africa	(+86-516) 87735009 87739222 87739283
West Asia & North Africa	(+86-516) 87739702 87739202 87739223	Central Asia	(+86-516) 87739236 87739239 87739538
Asia-Pacific	(+86-516) 87739128 87739500 87739529	America	(+86-516) 87739285 87739551 87739710

XUZHOU CONSTRUCTION MACHINERY GROUP IMP. & EXP. CO., LTD

Add: No.1, Tuolanshan Road, Xuzhou Economic Developing Zone, Jiangsu, China 221004

Fax: (+86-516) 87739230

E-mail: export@xcmg.com



Advanced Configuration

Ecological and economical

- ▶ Customized high-power engine with stronger power
- ▶ Adopting XCMG's proprietary matching technology, the operation efficiency is higher, the fuel consumption is smaller.
- ▶ Minimized impact on emission systems and make it more environmentally friendly

Excellent after-sales service

- ▶ Global after-sales service system and quick response mechanism
- ▶ Real-time technical consultation and maintenance

Convenient maintenance

- ▶ Easy maintenance design, open the engine hood for no dead angle maintenance

Multiple applications

- ▶ Different boom, arm and bucket combinations can adapt to as many working conditions as possible
- ▶ Multi-functional work tool system can meet various operational requirements including digging, breaking, dismantling and so on

Comfortable operational experience

- ▶ Air conditioner and heater ensure the appropriate temperature
- ▶ Integrated control panel and large display screen provide multiple information
- ▶ Faster data management, more efficient control
- ▶ The cab shock absorption performance is better

Safe and durable

- ▶ Upgrade undercarriage to improve load bearing performance
- ▶ Strengthened key stress-bearing parts of chain links
- ▶ Roll-over cab for added safety



Ecological and economical

- ▶ Engines that meet the national three-stage emission standards. The engine is powerful, rugged and fuel efficient for all applications. Combining proven, rugged components and precision manufacturing processes for greater reliability and efficiency
- ▶ Low-speed high-torque custom, fully electronically controlled engine in accordance with excavator working conditions, torque reserve increased by 15%. Fully-controlled high-pressure common rail engine technology, fuel utilization increased by 5%

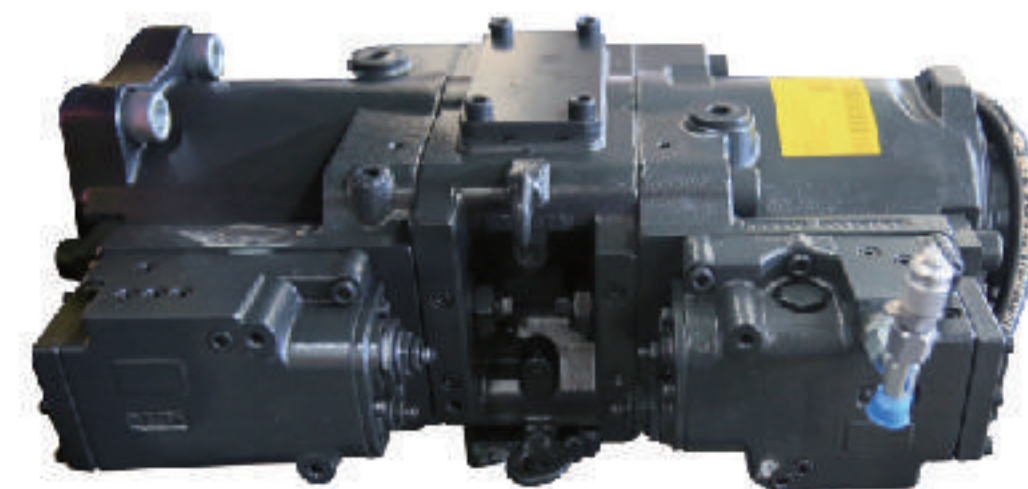


- ▶ The industry's first large-displacement high-efficiency pump, the displacement increased by 13.6%, the power increased by 4.5%, the whole vehicle moves faster



- ▶ Innovate the power matching mode, optimize the power matching between the pump and the engine, replace the new generation electric system, increase the engine speed sensing control in the ESS mode, make full use of the engine power, and improve the working efficiency of the product by 10%.

- ▶ High-efficiency large-displacement motor, the rotary motor increases the displacement and increases the rotary torque of the whole machine by 12.1%



Comfortable and safe

Comfortable

- ▶ Spacious, comfortable and safe cab, AM/FM radio, cigarette lighter and other facilities.
- ▶ The silicone rubber rubber spring composite damper is used to greatly reduce the vibration and impact in a certain frequency band.
- ▶ Equipped with high-grade suspension woven seat, can be adjusted in all directions, good ventilation, can reduce the driver's fatigue fatigue.
- ▶ High-power air-cooling dual-purpose automatic air conditioner with dual-stage air filtration. The all-round stereo air outlet can realize a variety of hair blowing modes, which makes the operation more comfortable.



- ▶ The family-style gold shield-shaped appearance, the lines are stable, the whole machine is more gas, the whole machine is painted simple and generous, the recognition is high, full of power, and has a three-dimensional sense, which is impressive.
- ▶ One-button emergency stop, safety is guaranteed.



Reliable

- ▶ High-quality integrated electrical system with higher index, centralized electrical control, simpler design and more reliable system.

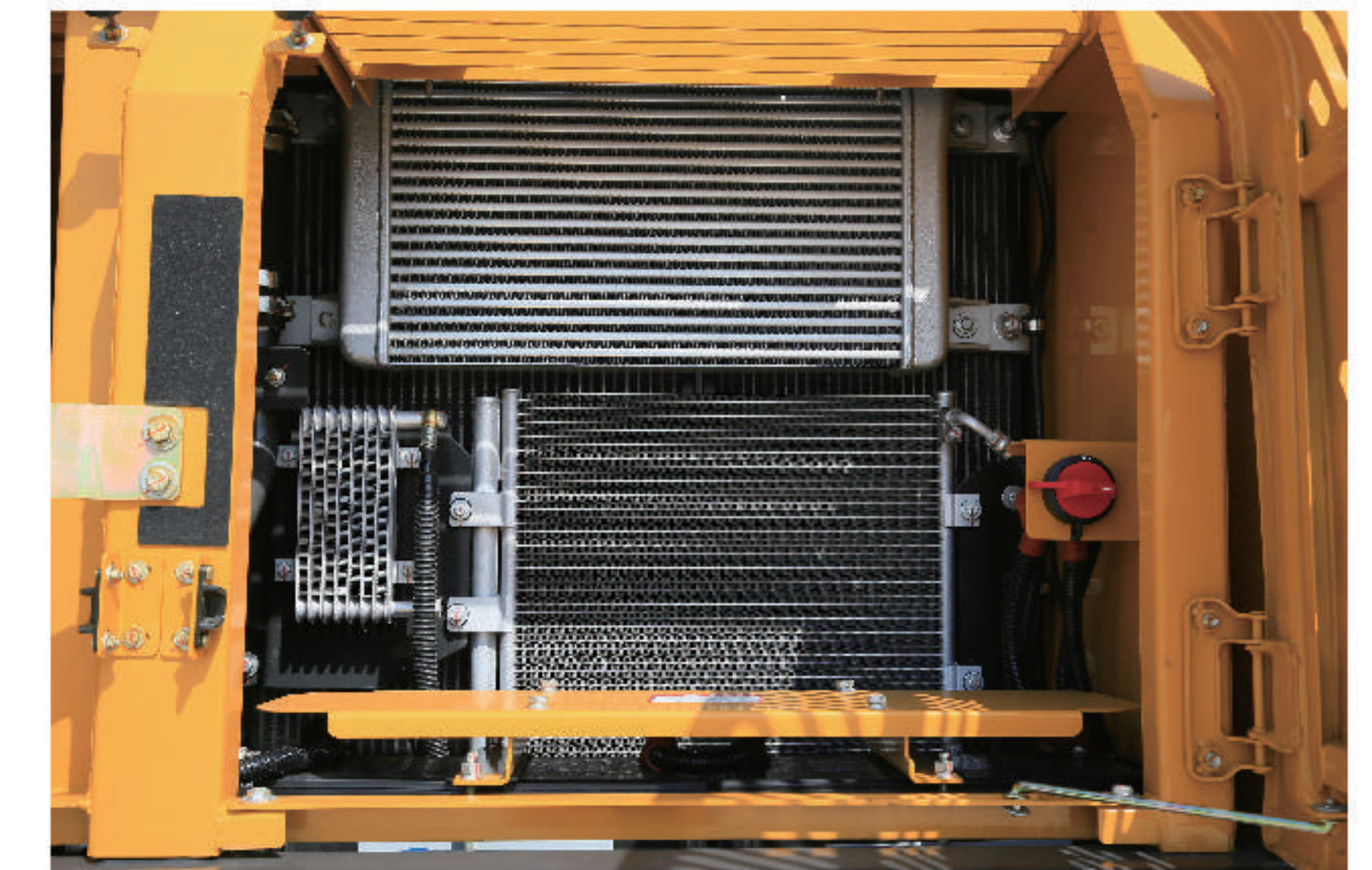


- ▶ High-reliability working device, through computer optimization design and 3D solid modeling design, optimize the design of the working device box structure, forming XCMG's own patented technology. (With the picture, the working device is pulled according to the figure below)
- ▶ New T-sleeve bearing is used at the joint of the bucket bucket to improve wear resistance
- ▶ Casting type single connecting rod, comprehensively optimize stress distribution and improve reliability
- ▶ Dovetail design at the root of the boom to reduce stress concentration



- ▶ The boom arm shaft seat adopts forging shaft seat, which is tempered and treated to increase wear resistance.
- ▶ New type of bucket that improves excavation performance while improving wear resistance
- ▶ Further enhance the strength of the ear plate and the arc plate to improve the service life

- ▶ Developed a thermal management system that improved the operating temperature environment of the engine and hydraulic system, improved system efficiency, reduced fuel consumption, and extended component life.



Multiple application conditions

The independently developed multi-functional intelligent work tool control system can realize crushing, shearing, cleaning, compacting, milling, transporting, pinching, grasping, scraping, loosening, lifting, and other operations, and can truly integrate multiple operations into one machine

With first-rate digging force, the machine can be fully competent under complicated working conditions.



Smart control

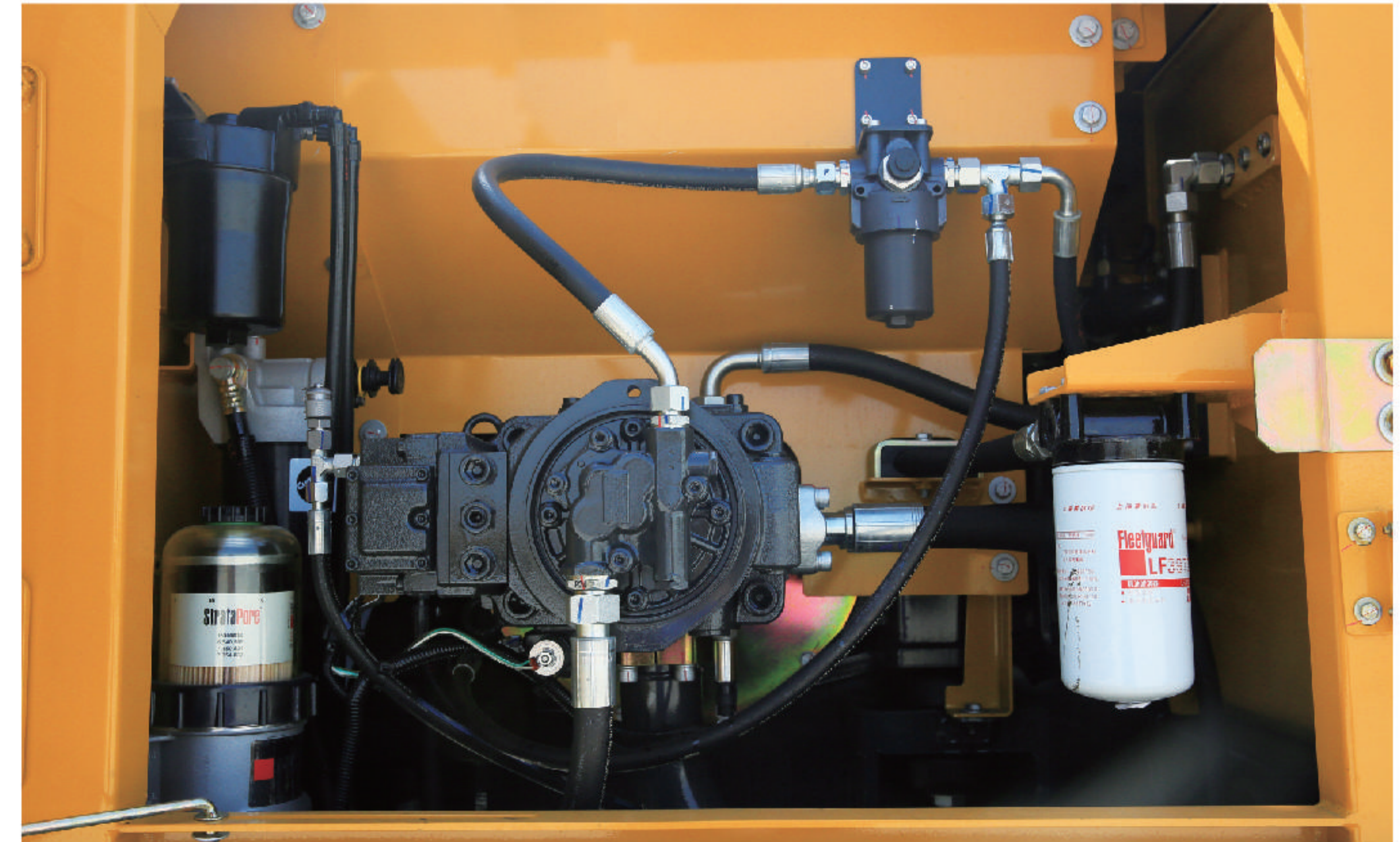
▶ Advanced XCMG excavator intelligent management system adopts CAN bus communication and Internet of Things technology, integrates main control system, engine ECM, monitoring system, control panel, GPS cloud control system and on-site diagnostic system to realize digital sharing of machine information and improve Product intelligence level. Convenient mobile app micro-service, grasp the location, working condition, working time, fuel consumption and maintenance cycle of the excavator anytime, anywhere.



▶ The autonomous controller collects the altitude of the vehicle position and the engine intake pressure, automatically determines the database, and prompts the operator to select the plateau mode on the display. Intelligently match the hydraulic pump and engine power to ensure the pump's flow output, reduce the engine's speed ratio, prevent black smoke and braking, and ensure the excavator's working efficiency.

Maintenance and service

- ▶ Open hood, all maintenance points are within reach of the ground
- ▶ The engine filter is placed in a centralized position, and the maintenance is convenient and quick
- ▶ Oil water separator alarm device to remind users when to release water
- ▶ Covering a wide range of after-sales service systems, and quickly responding to the rescue mechanism to ensure your peace of mind



Standard Equipment

	Name of equipment	XE215D
Engine	Engine model	QSB7
	Emission level	Euro III and National III
	Automatic preheating	
	Oil-water separator with water level indication sensor	
	Radial seal air cleaner	
	Air prefilter	
	50°C high temperature ambient cooling assembly	
	Radiator dust screen	
	Fuel marker	
	Oil-water quick release device	
	Fuel breather valve	
	Air pressure difference indicator	
	Automatic idle speed	
	Hydraulic system	Boom/arm flow regeneration
Auxiliary hydraulic valve		
Reverse rotation damping valve		
Automatic rotation parking brake		
Hydraulic buffer valve		
Straight hydraulic circuit		
Boom priority valve		
Rotary logic valve		
Hydraulic oil ISO VG 46		
Rotary anti-sway valve		
Cab and interior trim	Gauge pressure monitoring	
	Pressurized cab	
	Fully adjustable mechanical suspension seat	

Cab and interior trim	Adjustable seat armrest
	Seat belt (51 mm [2 "] wide)
	Openable windscreen with auxiliary device
	Front windshield divided by 70/30 ratio
	Double laminated windshield and other toughened windows
	Sliding door upper window
	Bi-directional air outlet air conditioner with defroster (automatic type) (pressurization function)
	Color liquid crystal display capable of displaying warning information, filter / liquid replacement information and working hours
	Control handle
	Travel control pedal with detachable manual control lever
	Two stereo speakers
	Beverage cup holder
	Coat and hat hook
	Cleanable floor mat
Safety and security configuration	Air conditioning system
	High and low gears shift
	One-key boost mode
	Top sunroof
	Intermittent multi-gear wiper
	Cup holder/envelope
	Cold and warm storage box
	Radio receiver
	Driving door locks and cabin locks
	Alarm horn
Isolation plate between engine and oil pump chamber	
Engine Emergency Stop Switch	
Rear window emergency exit	
Battery circuit breaker	

	Boom and arm retaining valve
	Overheat alarm
	Safety handrails and pedals
Safety and security configuration	Anti-skid plate/anti-skid paste
	Hydraulic safety locking lever
	Emergency escape hammer
	Left and right rearview mirrors
	Bottom frame traction ring
Chassis system and shield	600 mm (24 ") three-rib track shoe
	Protective device kit: chassis bottom sealing plate, walking motor sealing plate
	Track single rail protector
Working device	Boom 5.68m
	Arm 2.9 m
	Bucket 1.0M3 Strengthened Bucket
Electrical system	Battery (2× 850CCA)
	70A alternator
	7.8 kW starter motor
	XEICS intelligent system
Lighting lamp	Right and left boom work lights
	Right working light installed on storage box
	24V cigarette lighter
	Cab interior lighting
Counterweight	4.1 t counterweight
Technology	XEICS intelligent control system
	Data link socket

Optional Equipment

	Name of equipment	XE215D
Engine	Oil-water separator with heater (24V)	
	Oil bath type air prefilter	
	Electronically controlled silicone oil clutch	
	Fuel pump 50L/min	
	Coolant heater (fuel type)	
Hydraulic system	Rapid fuel filling system	
	Hydraulic line: breaker and thumb clamp	
	Operation mode switching	
	Spare valve	
	Hydraulic oil ISO VG 32, 68	
Cab and interior trim	Retractable seat belt (51 mm [2 "] wide)	
	Air suspension seat with seat cushion heating	
	Vehicle mounted oxygen supply device	
	Fire extinguisher	
	Explosion-proof valve for arm pipeline	
	Roll over protective structure (ROPS)	
	Counterweight rearview mirror	
Chassis system and shield	Falling object protective structure (FOPS)	
	230 mm (24 ") double-rib track shoe	
	700 mm (28 ") three-rib track shoe	
	800 mm (31 ") double-rib track shoe	
	600 mm (24 ") three-rib track shoe	
	800 mm (31 ") three-rib track shoe	
	Extended chassis	
	Crawler double guardrail	

Chassis system and shield	Track rubber block
	Full-length track guard 0.8-1.0m ³ Rock bucket
Working device	Arm 2.4m
	0.9-1.05 m ³ Strengthen bucket
	1.0-1.3m ³ Earthwork bucket
	Quick coupler
	Hydraulic breaker
	Hydraulic thumb pliers
	Ripper
	Vibratory plate compactor
	Hydraulic shear
	Grapples
	High frequency crusher
	Clamshell bucket
	Travel alarm
Scrap grapple	
Screening bucket	
Camera	
5V USB interface	
Pipe grab	
24V cigarette lighter	
12V power interface	
Lighting lamp	Front working light installed on cab top
	Rear working light installed on cab top
Lubrication system	Electric self-lubricating system
	Arm concentration

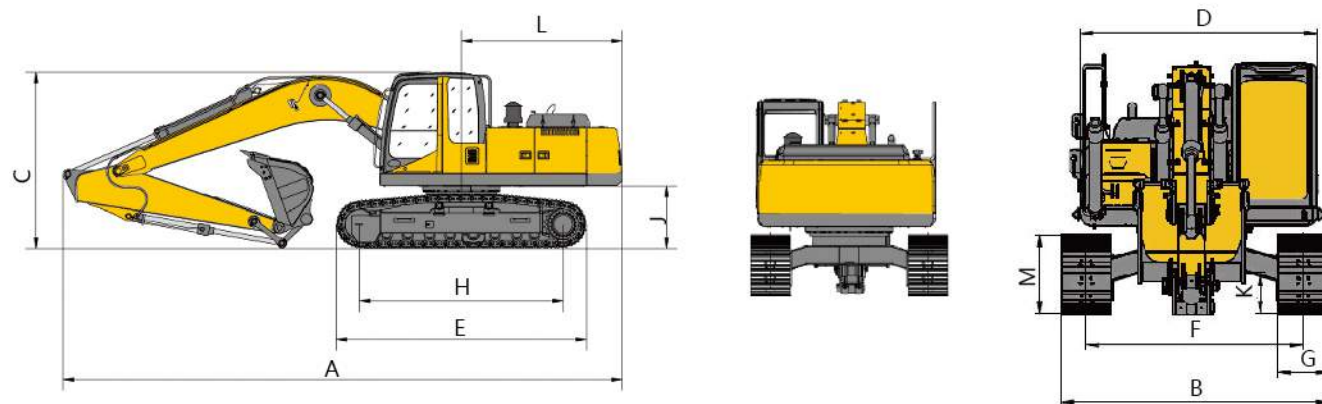
Main Specifications

Item	Unit	Parameters	
Model	/	XE215D	
Operating weight	Kg	21900	
Bucket capacity	m ³	0.8-1.3	
Engine	Model	/	Cummins QSB7
	Direct injection	/	√
	Four strokes	/	√
	Water cooling	/	√
	Turbo-charging	/	√
	Air to air intercooler	/	√
	No. of cylinders	/	6
	Rated power/speed	kw/rpm	135/2050
	Maximum torque/speed	N.m/rpm	740/1250
	Displacement	L	6.7
Main Performance	Travel speed (H/L)	km/h	5.4/3.1
	Swing speed	r/min	11.8
	Gradeability	°	≤35
	Ground pressure	kPa	47.2
	Bucket digging force	kN	149
	Arm digging force	kN	111
	Maximum tractive force	kN	184
	Main pump	/	/
	Rated flow of main pump	L/min	2×225
	Hydraulic System	Main safety valve pressure	MPa
Travel system pressure		MPa	34.3
Swing system pressure		MPa	27.5
Pilot system pressure		MPa	3.9

Item	unit	Main specifications
Oil Capacity	Fuel tank capacity	L 400
	Hydraulic tank capacity	L 220
	Engine oil capacity	L 19.5
Standard	Length of boom	mm 5680
	Length of arm	mm 2910
	Bucket capacity	m ³ 1

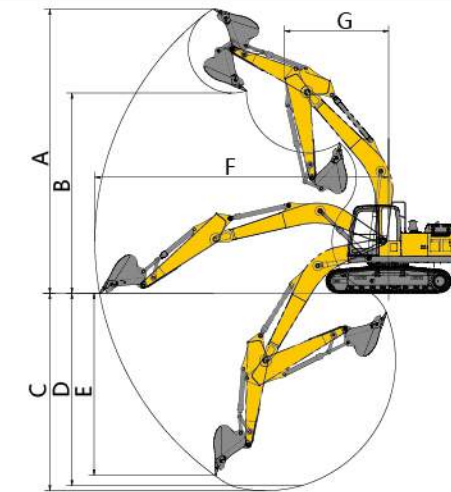
Dimensions

Item	Unit	Parameters
A Overall length	mm	9625
B Overall width	mm	2990
C Overall height	mm	3100
D Width of platform	mm	2830
E Track length	mm	4255
F Overall width of chassis	mm	2990
G Track shoe width	mm	600
H Wheel base of crawler	mm	3462
I Track gauge	mm	2390
J Counterweight clearance	mm	1050
K Minimum ground clearance	mm	476
L Minimum tail swing radius	mm	2890
M Track height	mm	942



Working Range

Item	Unit	Parameters
A Max. digging height	mm	9620
B Max. dumping height	mm	6780
C Max. digging depth	mm	6680
D Maximum depth cut for 2240mm(8 ft) level bottom	mm	6500
E Max. vertical wall digging depth	mm	5715
F Max. digging radius	mm	9940
G Min. swing radius	mm	3530



Lifting Capacity

Lifting point height (m)	Rated lift capacity – Straight ahead (back) (kg)					Rated lift capacity – over-side (kg)									
	Lifting point radius (m)					Lifting capacity at maximum radius	Lifting point radius (m)					Lifting capacity at maximum radius			
	1.5	3	4.5	6	7.5		1.5	3	4.5	6	7				
7.5				*3556.9		*2987.1					*3556.9		*2987.1		
6				*3502.6		*3146.1					*3502.6		2330.1		
4.5				*3994.8	*3817.2	3105.2					3942.5	2594.5	1876		
3				*6268.7	*4809.1	4050.4					6063.5	3750	2519	1658.9	
1.5				*7992	*5683	3966.2					5680.9	3572.8	2441	1614.4	
Ground				*4211.4	*9013.6	5641.5	3920.6	2812.3			*4211.4	5523.4	3471.1	2398.7	1650.9
-1.5	*4854.2	*8582	9227.2	5634.2	3944.4	3141.8	*4854.2	*8582	5542.6	3464.6	2420.7			1871.7	
-3	*9490.1	*12967.8	*8798.1	5739.1		3888.9	*9490.1	11752.6	5683	3559.4				2371.3	
-4.5		*10582.1	*7292.8					*10582.1	7292.8					3622.5	

Capacities marked with an asterisk(*) are limited by hydraulic capacities.